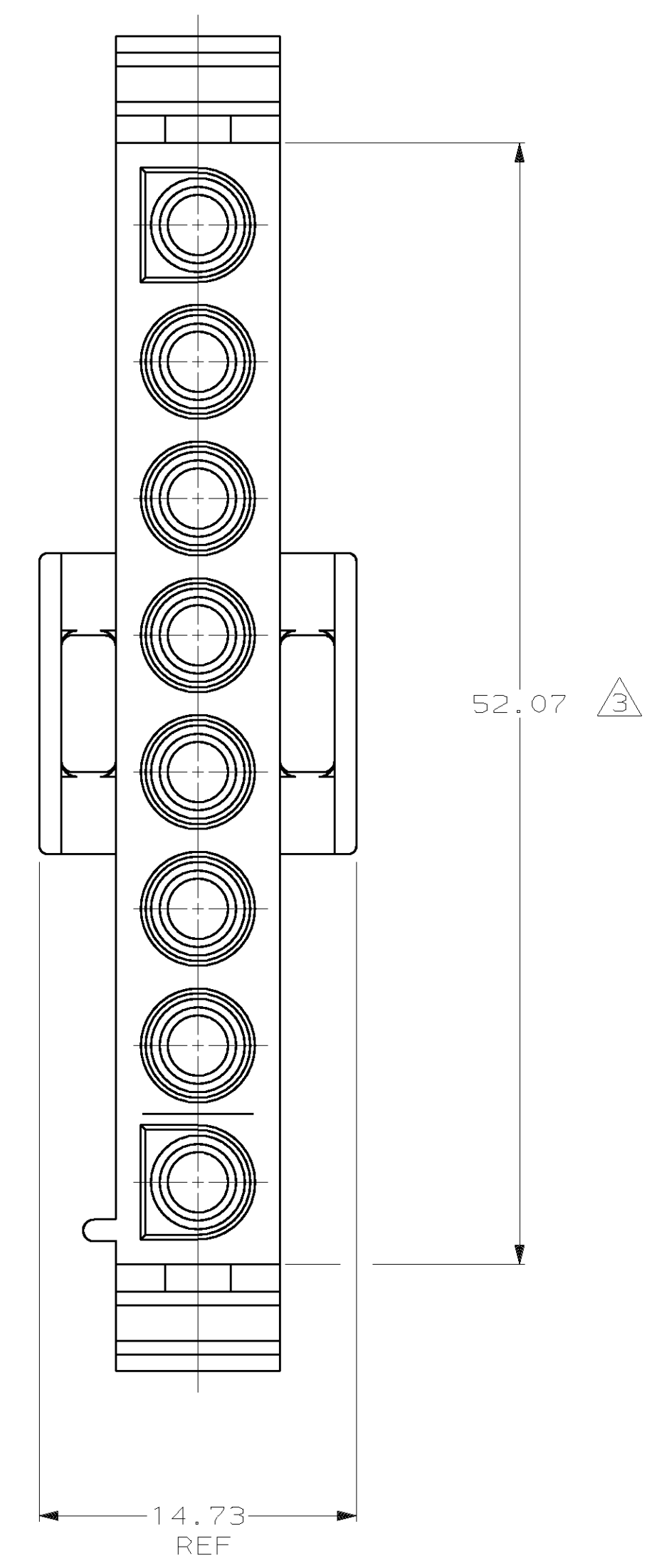
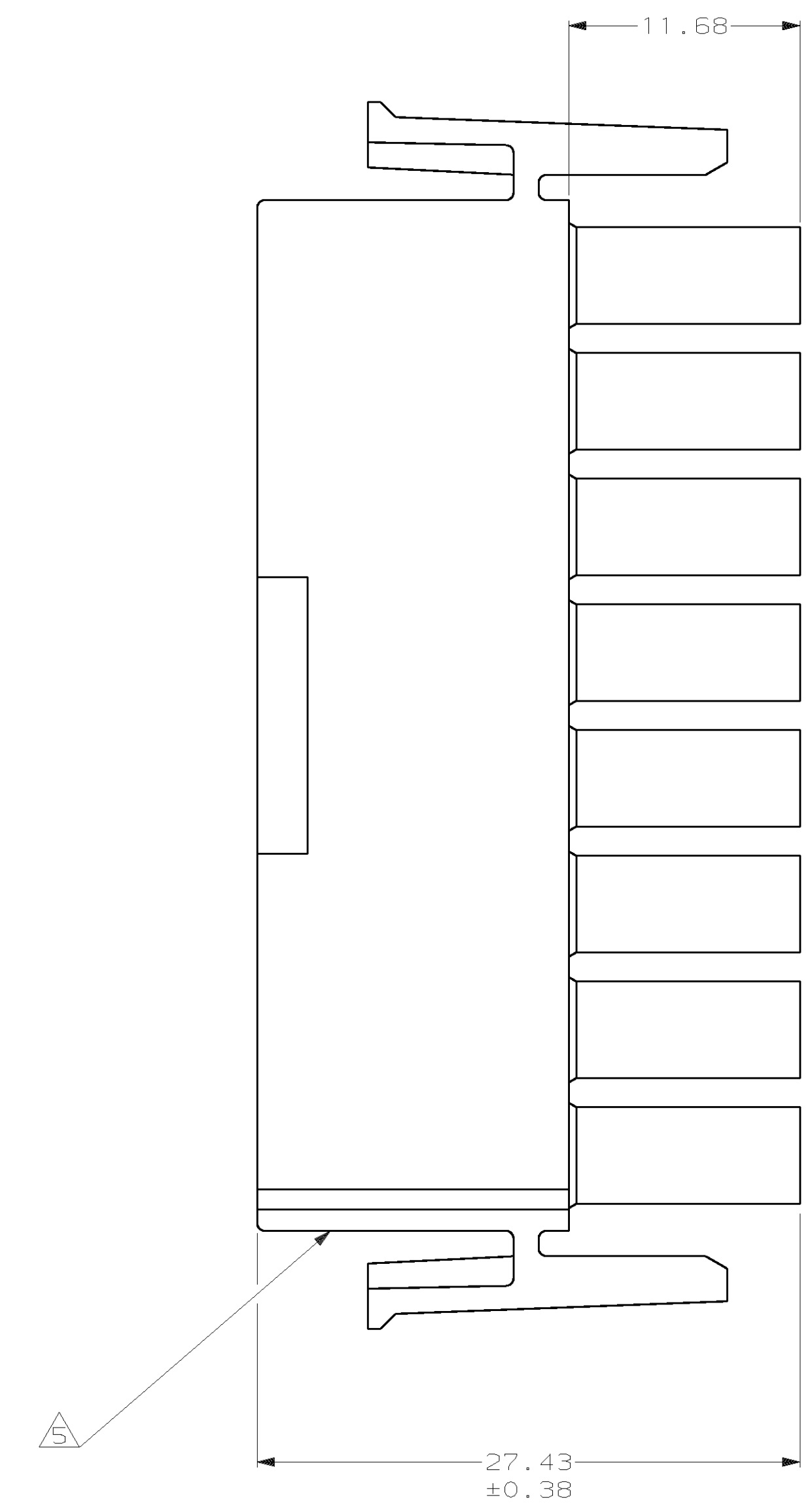
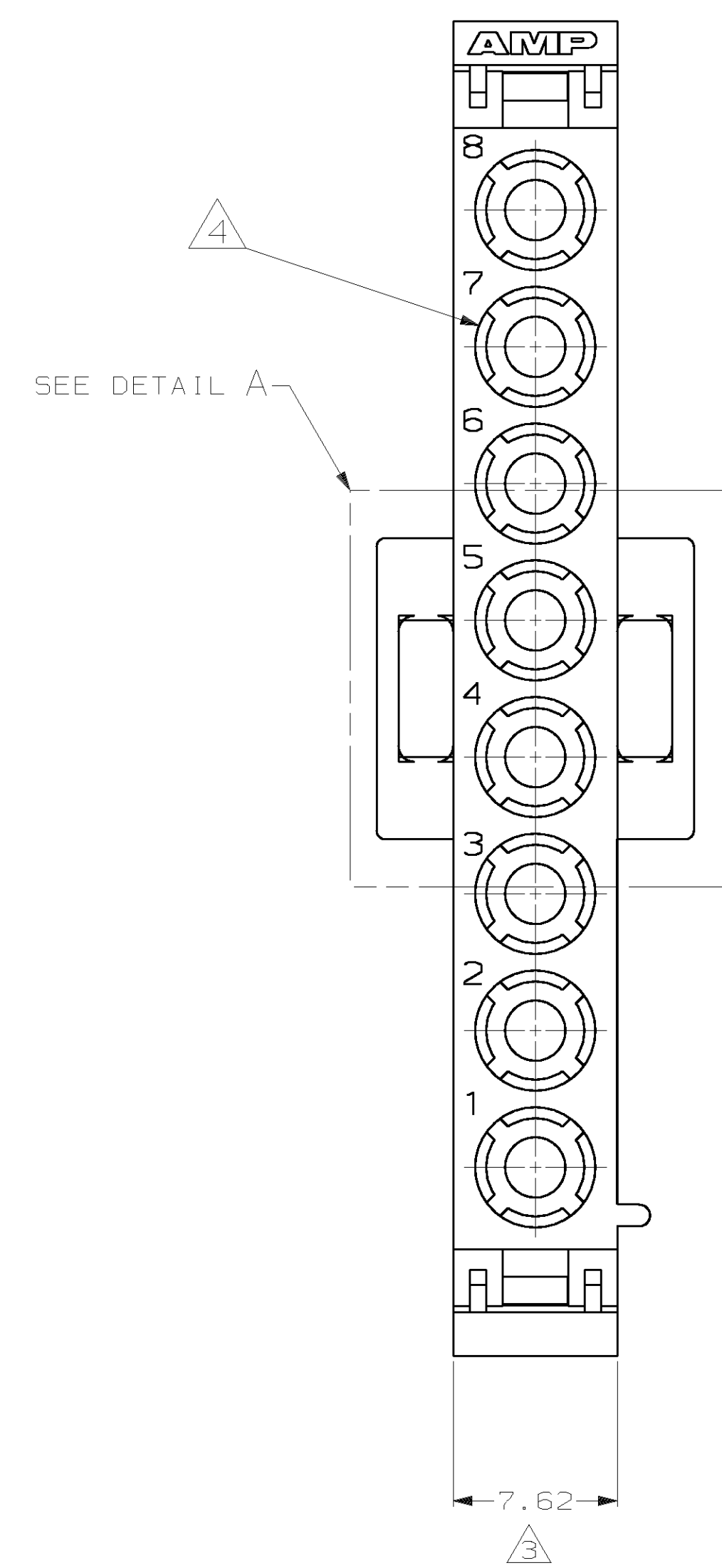
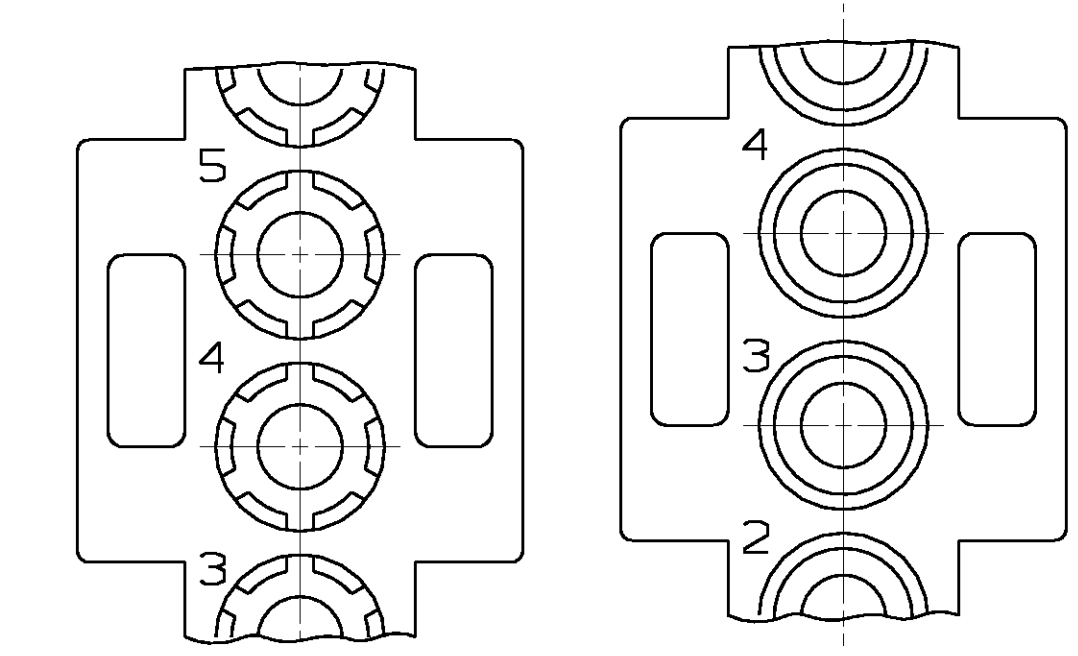
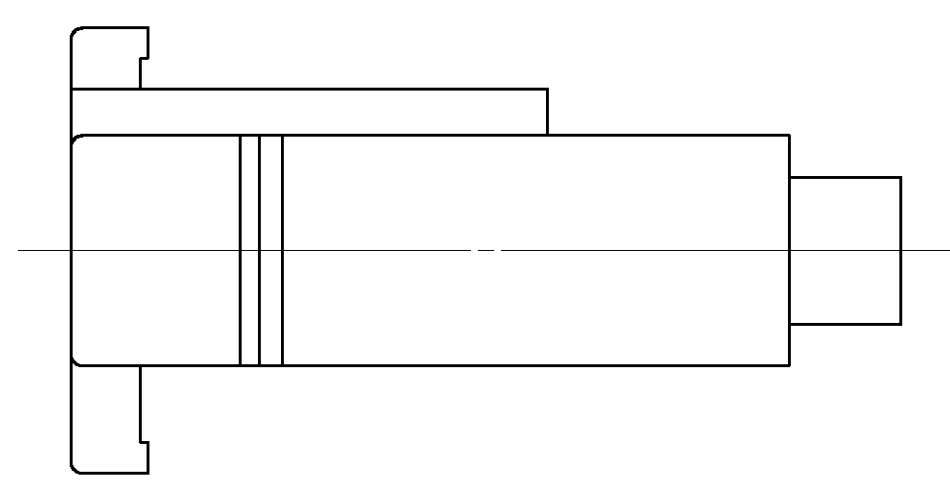


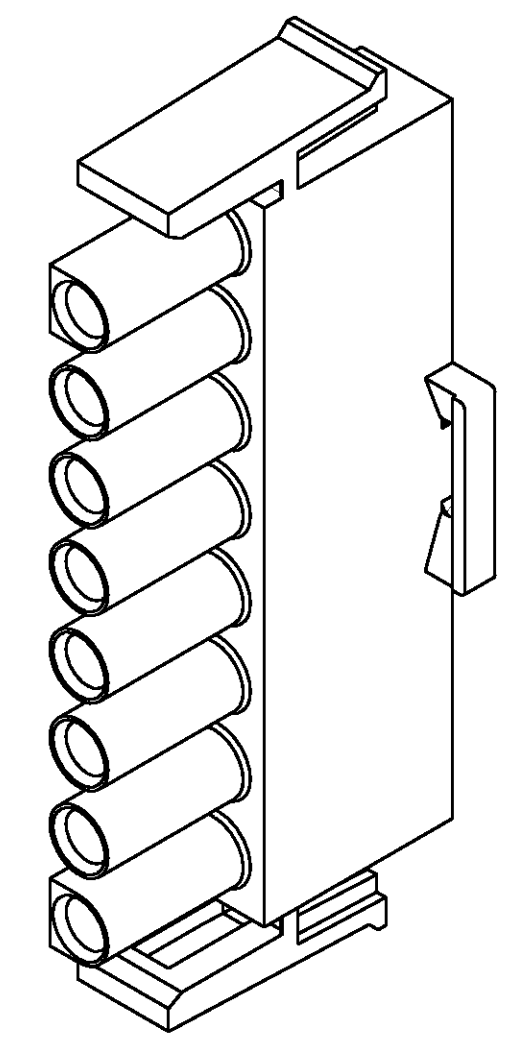
LOC		DIST		P		F		ZONE		LTR		REVISIONS		DATE	APPR
CM		53						5				REV PER EC 0G1B-0229-98		18-FEB-99	JH



- MATES WITH APPROPRIATE UNIVERSAL MATE-N-LOK™ CAP OR HEADER.
- SMALL NICKS ARE PERMITTED ON THE CIRCUIT TOWERS WHICH COULD INCREASE THE INITIAL HOUSING MATING FORCE BY UP TO 4.4 NEWTONS [1.0 LBS]. NO INDIVIDUAL NICKED TOWER SHALL INCREASE THIS FORCE BY OVER 2.2 NEWTONS [.5 LBS].
- DIMENSION INDICATED IS AS MOLDED. ADDITIONAL GROWTH DUE TO SUBSEQUENT MOISTURE ABSORPTION MAY OCCUR.
- FOUR RIBS EQUALLY SPACED, NO SPECIFIC ORIENTATION. NO RIBS OR SIX RIBS EQUALLY SPACED, NO SPECIFIC ORIENTATION, OPTIONAL.
- UNDERWRITERS RECOGNIZED COMPONENT LOGO AND CSA CERTIFICATION LOGO TO BE LOCATED ONCE EACH ON SIDE OF HOUSING.



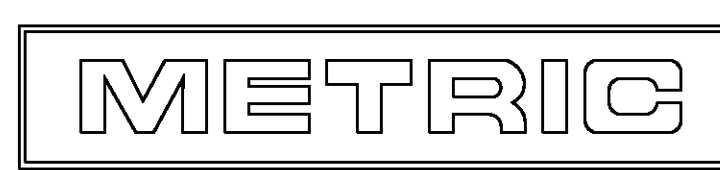
DETAIL A  
 OPTIONAL CONSTRUCTIONS



3-DIMENSIONAL MODEL  
 NTS

MM	IN
52.07	2.050
27.43	1.080
14.73	.580
11.68	.460
7.62	.300
0.38	.015
0.13	.005
MM	IN

CONVERSION TABLE



DO NOT SCALE PRINT. UNLESS SPECIFIED DIMENSIONS IN mm [INCHES]		DR 2-28-92 K. WHITAKER		640582-1 PART NO	
TOLERANCES - ON:		CHK 2-28-92 R. SWING		AMP AMP Incorporated Harrisburg, PA 17105-3608	
2 PLC DEC ± 0.13		APPD 3-5-92 D. SELF		NAME PLUG, 8 CIRCUIT, UNIVERSAL MATE-N-LOK™	
3 PLC DEC ± -		APPD 3-5-92 D. SELF		SIZE D	
ANGLES ± 0°30'		PRODUCT SPEC -		CAGE CODE 00779	
MATERIAL NYLON, UL 94V-0		APPLICATION SPEC -		DRAWING NO 640582	
FINISH -		WEIGHT -		SCALE 4:1	
				SHEET 1 OF 1	